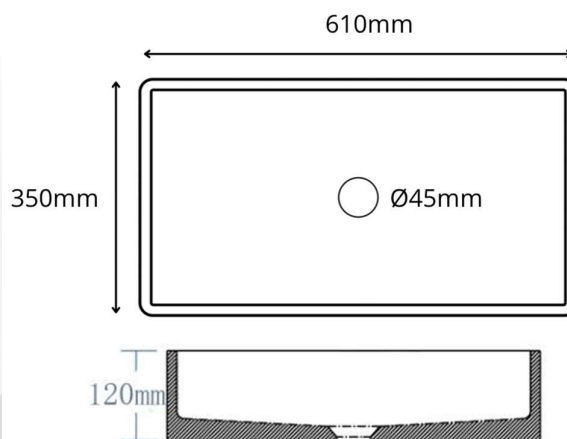


# Harper Long Rectangle Concrete Basin

Size: 610 x 350 x 120mm

HARPER-6035G



Our range of surface mounted Concrete Basins are hand-crafted with the modern Australian home in mind. Each basin is unique with its own subtle and natural variations that occur during the firing process. The ideal way to bring the luxury of a resort or spa bathroom into your home.

Available Finishes: **Matte Grey (HARPER-6035G)**  
Concrete (HARPER-6035)

Material: Concrete

Dimensions: 610mm length x 350mm width x 120mm depth

Drain Opening: 45mm

Additional Features: Matching pop-up waste included  
Easy to clean design and finish

**Warranty:** Structure: 2 Years  
*Please refer to Warranty Guide for full Terms & Conditions*

## Care Instructions:

Despite being a durable material, concrete has naturally occurring pores and streaks that add to the beautiful patina of the product over time. To best maintain your concrete basin please follow the below instructions.

- Avoid using abrasive cleaners: instead use a pH neutral cleaner
- Avoid leaving hot water in basin for prolonged periods of time
- Wipe basin dry when not in use where possible: although not always practical, keeping your basin dry when not in use can prevent the build-up of hard water deposits
- As with any other ceramic basin: improper use or impact with hard objects may cause chipping or scratching
- Please refrain from using scour pads on the concrete as it can scratch your basin and breakdown the sealant.



## Important Information:

Designed in Australia, our concrete basins are a handmade product aimed at maintaining the natural feel and finish of concrete while infusing it with beautiful colours. Being a natural material and staying true to its organic form, there can be slight colour movement/variation through the product and the potential for small air pockets to appear on the exterior. Please note, we cannot guarantee that the product will or will not have slight colour variation or air pockets, as each basin is different and unique. These characteristics have no bearing on the structural integrity of the concrete basin. Our concrete basins are finished with a transparent waterproof sealant so there is no need to reseal before installation.