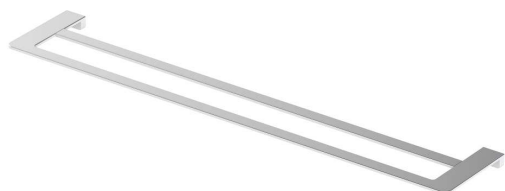


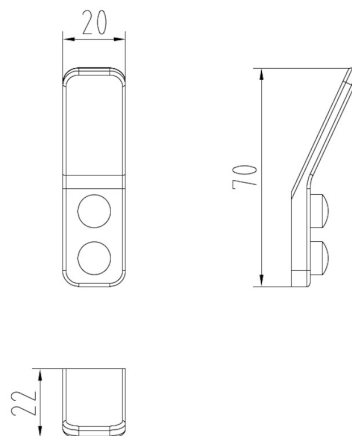


CAPRI SERIES

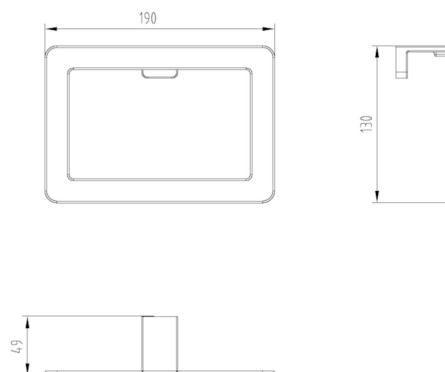
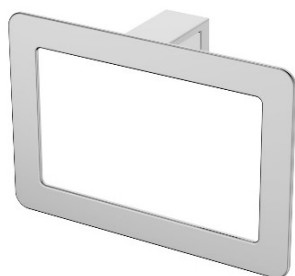
Accessories



D0280282 - Double Towel Rail (650mm)



D0380280 - Robe Hook



D0480281 - Towel Ring



CAPRI SERIES

Accessories

The Capri range is characterised by its sleek and slimline form. The Capri Double Towel Rail is made out of solid brass to ensure quality and durability for daily use.

Finishes:	Chrome
Material:	Zinc
Fixing:	Wall materials vary. The accessory fixing kit supplied is suited for solid wall fixing. For timber framed walls, please ensure the accessory is fixed to a stud/noggin behind the wall. Where stud/noggin is not available, please use suitable hollow wall fixing.
Cleaning Recommendations:	We recommend the use of soapy water or approved cleaners. This product should not be cleaned with abrasive materials. Damage caused by any improper treatment is not covered by the product warranty. Refer to Warranty Condition.
Warranty:	7 Year Replacement Product or Parts 1 Year Finish (Chrome finish covered under standard Product or Parts Warranty) <i>Please refer to Warranty Guide for full terms & conditions</i>

While we aim to ensure the specifications shown are correct at time of printing, Summer reserves the right to make modifications without prior notice. Always use the physical product measurements for mark-ups and roughing-in as the line drawing shown may differ from the actual product over time. All measurements are shown in millimetres. Colours may vary from image shown.