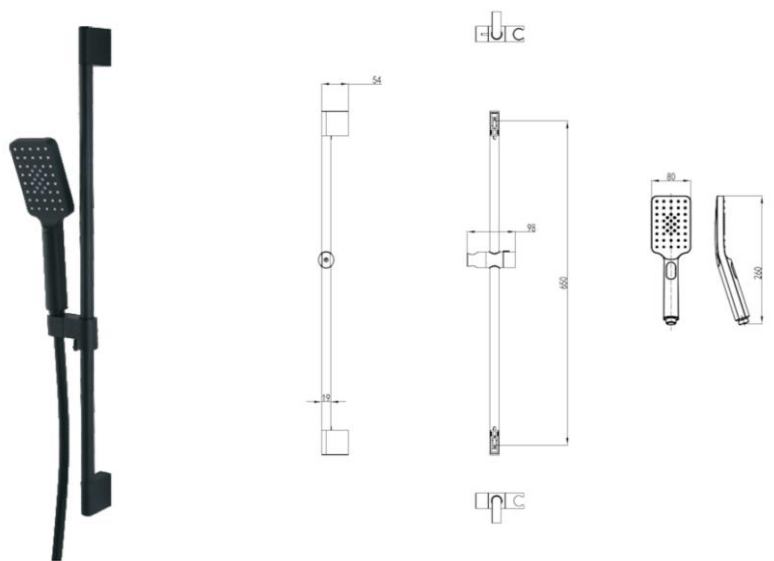




Square Hand Shower Rail - Black

D10270BPA-EP3395A-H2A155+61A



The shower set series features a selection of shower heads and hand showers that complement the overall design of the shower. Australian designed and engineered.

Finishes: Black (D10270BPA-EP3395A-H2A155+61A)

Chrome (D10270B-EP3395A-H2A155)

Material Solid Brass Construction

WELS Rating 4 Star – 6.5 litres/min

Temperature Maximum 80°C

Pressure Maximum 500 kpa

Warranty: 7 Year Product or Parts

3 Year Finish (Chrome finish covered under standard Product or Parts Warranty)

Please refer to Warranty Guide for full terms & conditions



While we aim to ensure the specifications shown are correct at time of printing, Summer reserves the right to make modifications without prior notice. Always use the physical product measurements for mark-ups and roughing-in as the line drawing shown may differ from the actual product over time. All measurements are shown in millimetres. Colours may vary from image shown.