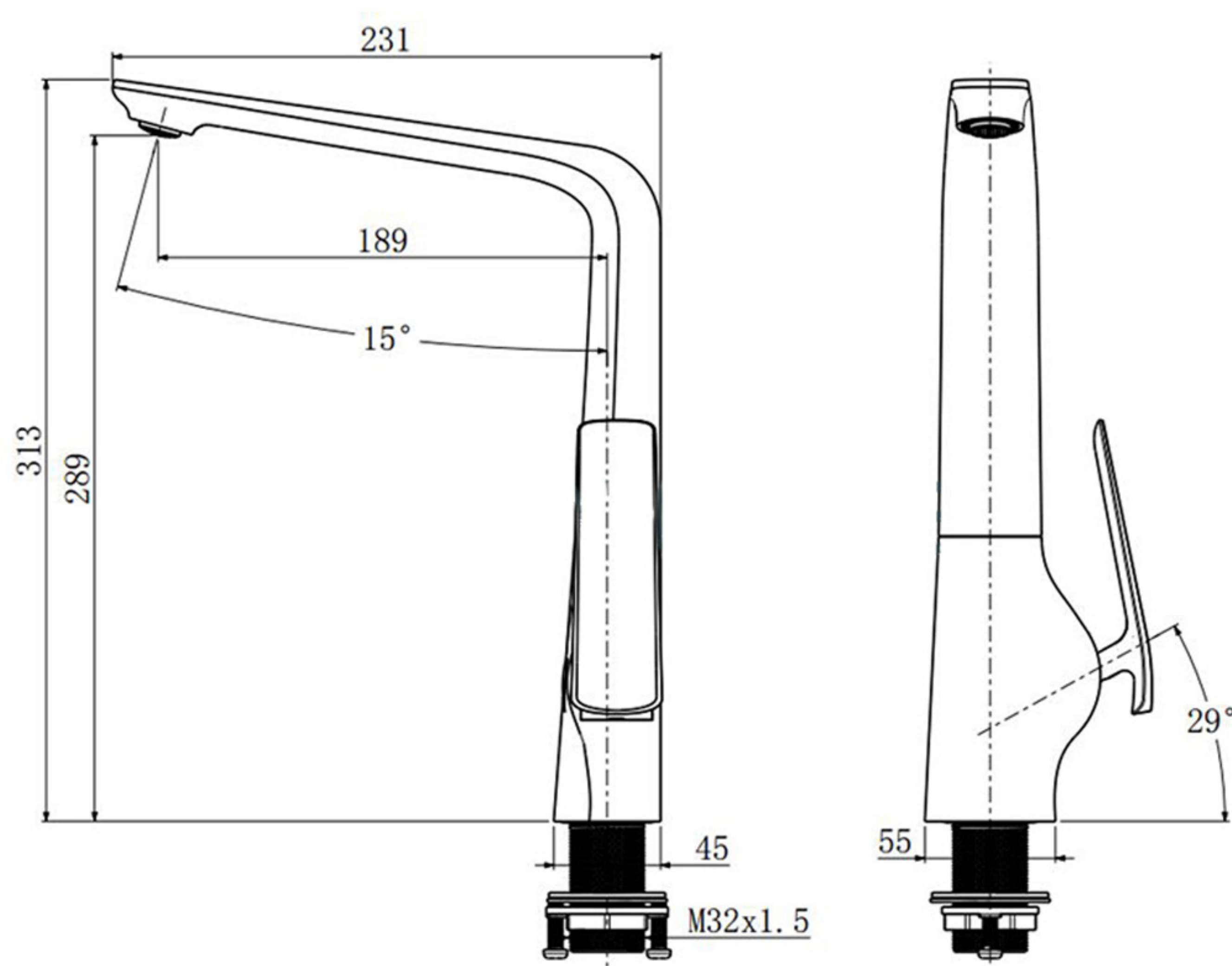
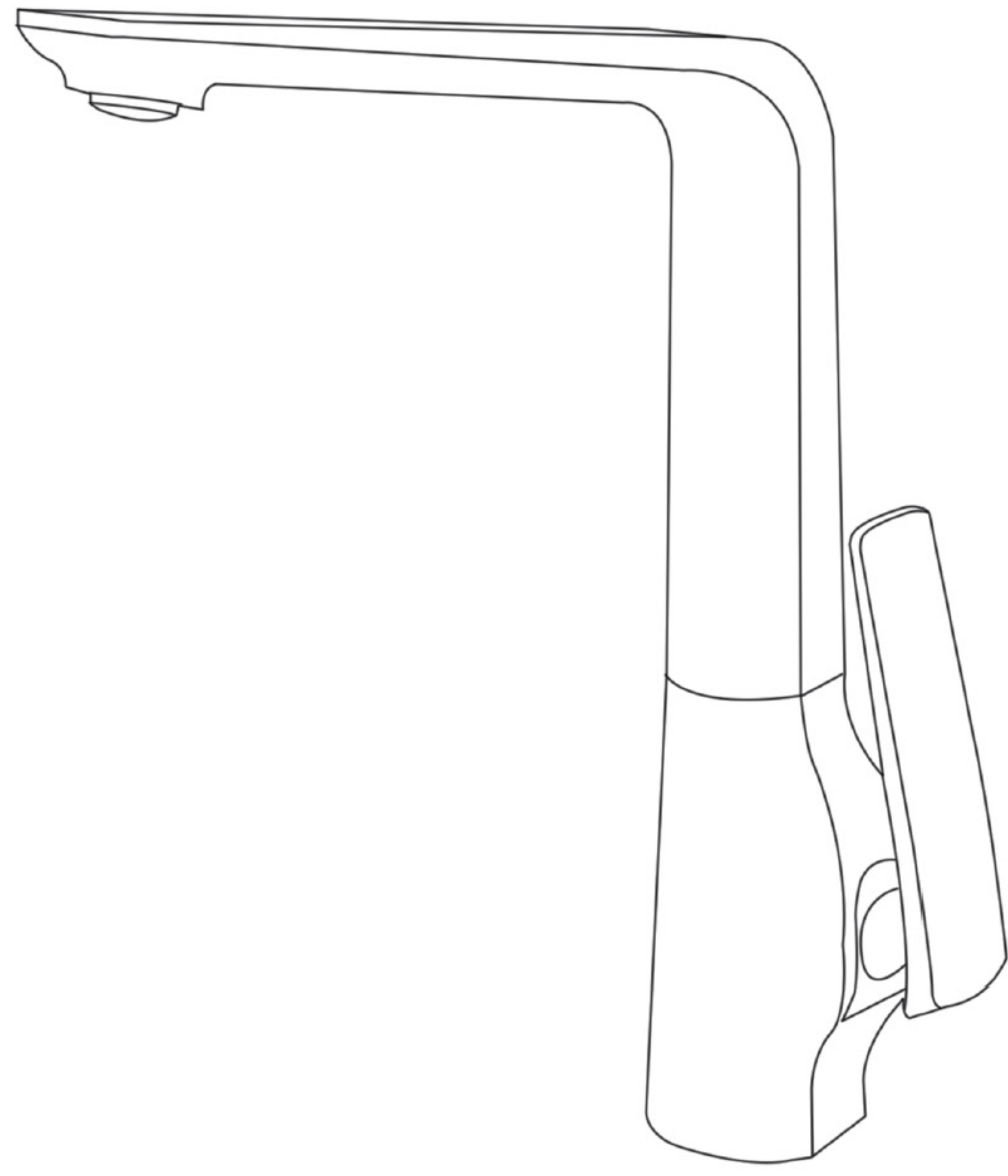


## KITCHEN SINK MIXER



### SPECIFICATIONS

Recommended use	Domestic, hotel and commercial
Colour availability	Six colors availability
Pressure rating	Maximum operating pressure 1000kPa Note: For best performance and longer life we recommend 300-800kPa
Temperature rating	Maximum hot temperature 80°C, Min 5°C
Suitable Hot Water	Storage tank: Yes
Units	Continuous flow: Yes Gravity Feed: Not recommended
Standards	AS/NZS 6400

### CLEANING RECOMMENDATIONS

This product should not be cleaned with abrasive materials. Damage caused by any improper treatment is not covered by the product warranty - refer to Warranty Conditions on the last page.

Disclaimer: Products in this specification manual must by regulation be installed by licensed and registered trade people. The manufacturer/distributor reserves the right to vary specifications or delete models from their range without prior notification. Dimensions are nominal measurements only. Dimensions and set-outs listed are correct at time of publication however the manufacturer/distributor takes no responsibility for printing errors.



## KITCHEN SINK MIXER

### INSTALLATION INSTRUCTIONS

#### Important Note:

Mixer must be installed to the requirements of AS/NZS 3500 by a qualified plumber. Your mixer comes to you already factory assembled and tested. We do not recommend the dismantling of any internal part of the mixer. The mixers are factory tested and sealed so as to give the best performance.

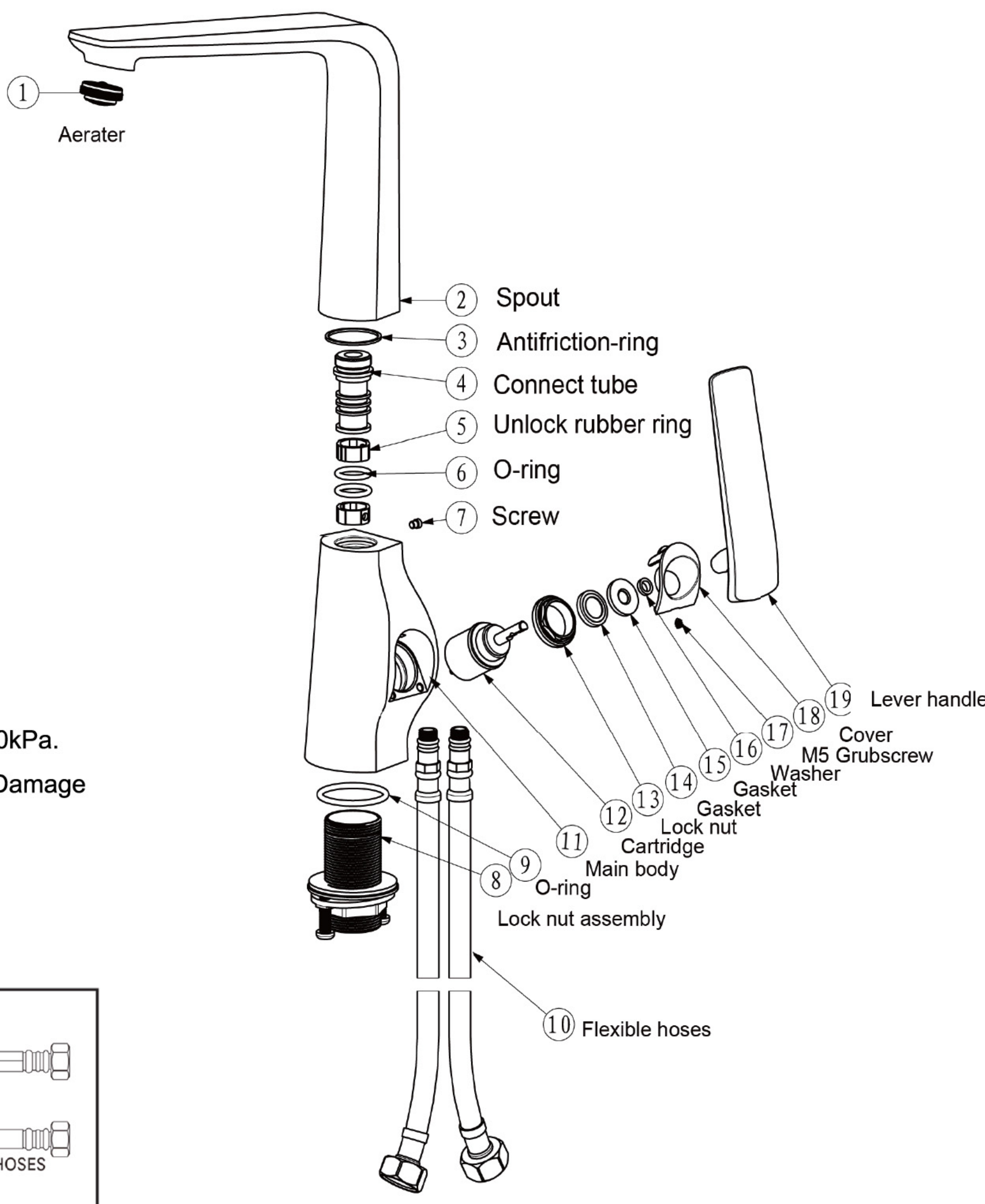
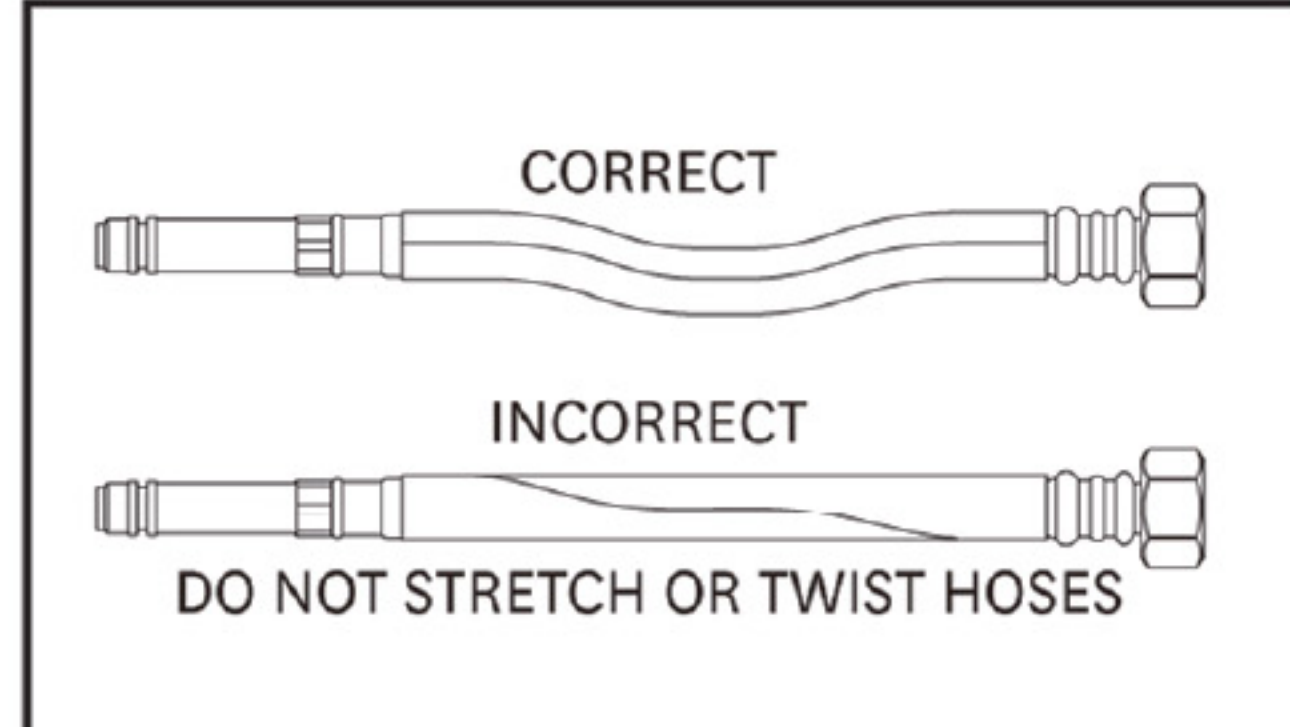
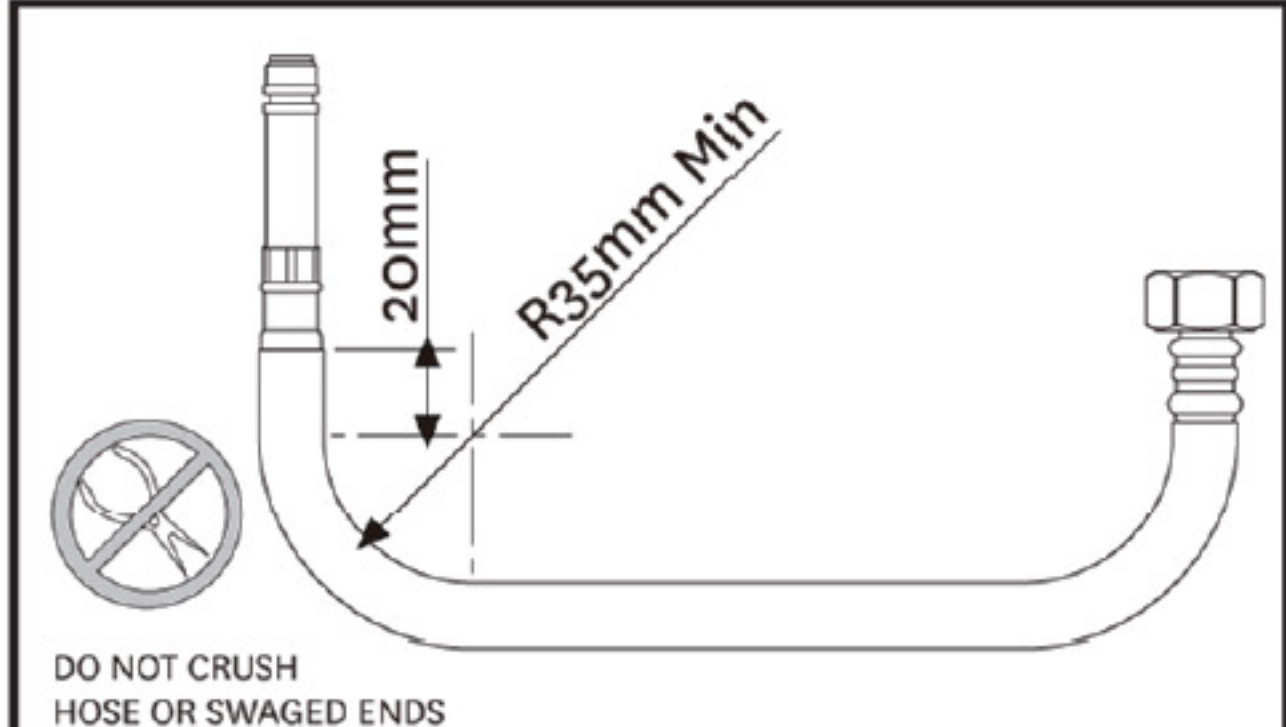
#### Installation Procedure

Refer to the diagram at above.

1. A single 35mm diameter hole is required in the mounting surface. The mounting surface can be a maximum of 40mm thick.
2. Insert the O-ring into the bottom of mixer, and fit the mixer to the mounting surface.
3. Insert the flexible hoses through the hole into the Lock nut (from the underside) and screw them into the base of the mixer by hand.
4. Fit the Lock nut onto the mixer through the hole under the mounting surface.
5. Tighten the mounting nuts to the mixer in place
6. Connect the flexible hoses to the hot and cold supplies . It's a condition of our warranty that the filter washer was supplied be fitted at this.

The maximum working pressure of the ceramic cartridge is 1000kPa. Do not hydrostatic test the installation with this mixer installed. Damage the ceramic cartridge may occur, voiding our warranty

#### Hose Requirements for mixer



## KITCHEN SINK MIXER

### NORICO PRODUCT QUALITY GUARANTEE

Warranty - Norico Australia products come with guarantees that cannot be excluded under the Australian Consumer law. You are entitled to have goods repaired or replaced if the products fail to be acceptable quality and or if there is a failure.

#### All Products

15 Years

- \*15 years replacement cartridges
- \*7 years replacement product or parts
- \*1 year replacement product or parts & labour

#### Warranty Exclusions

- The consumer is not able to provide proof of purchase which confirms what the relevant product was purchased from a Norico Australia authorized distributor
- The relevant products are not installed by a licensed plumber and in accordance with the manufactures's installation instructions
- Water relevant products are not fitted. Any flow-controlled device must not be fitted unless Approved by Norico Australia
- The relevant product requires repairs due to damage resulting from accident, misuse (including use or incorrect applications), incorrect installation, cleaning or maintenance, unauthorised modification, tampering or unauthorised repairs by any persons, use of defective or incompatible accessories or exposure to corrosive products, adhesives or sealants. Not cleaning out the lines and causing the ceramic cartridge to scratch
- The product is not the product of Norico Australia and had no warranty card
- The defective part is worn by use and is only a replacement part
- Products are exposed to environmental elements
- Damage occurs because of obstructions due to inadequate flushing of system before use
- Services or repairs with non-standard replacement parts have been previously undertaken without Norico Australian approval
- Damage to finishes which arise from installation or post installation use; and Not caring and or cleaning for the product; This includes using harsh cleaning products set out below
- Under no circumstances should tapware be installed using acetone related products
- Never use harsh detergents, citrus based cleaner or abrasive cleaners, on any Norico products as there will cause scratching
- Always wipe over with warm soapy water. This is all that is required to maintain your products in perfect condition for a lifetime of use

#### Warranty Claim

If there is fault. Norico Australia and or its Agents or retailers will send a service agent and or a replacement part. There is a fee if the service agent is called and the product is found not to be faulty but was installed incorrectly and not a manufacturing defect and or related problem.

#### Warranty Periods Commercial

All products\* 1 Year

Replacement parts & Labour

All Norico Australia products have a 12month Commercial warranty. All products should be tested before handover date and apply from the date of invoicing.

