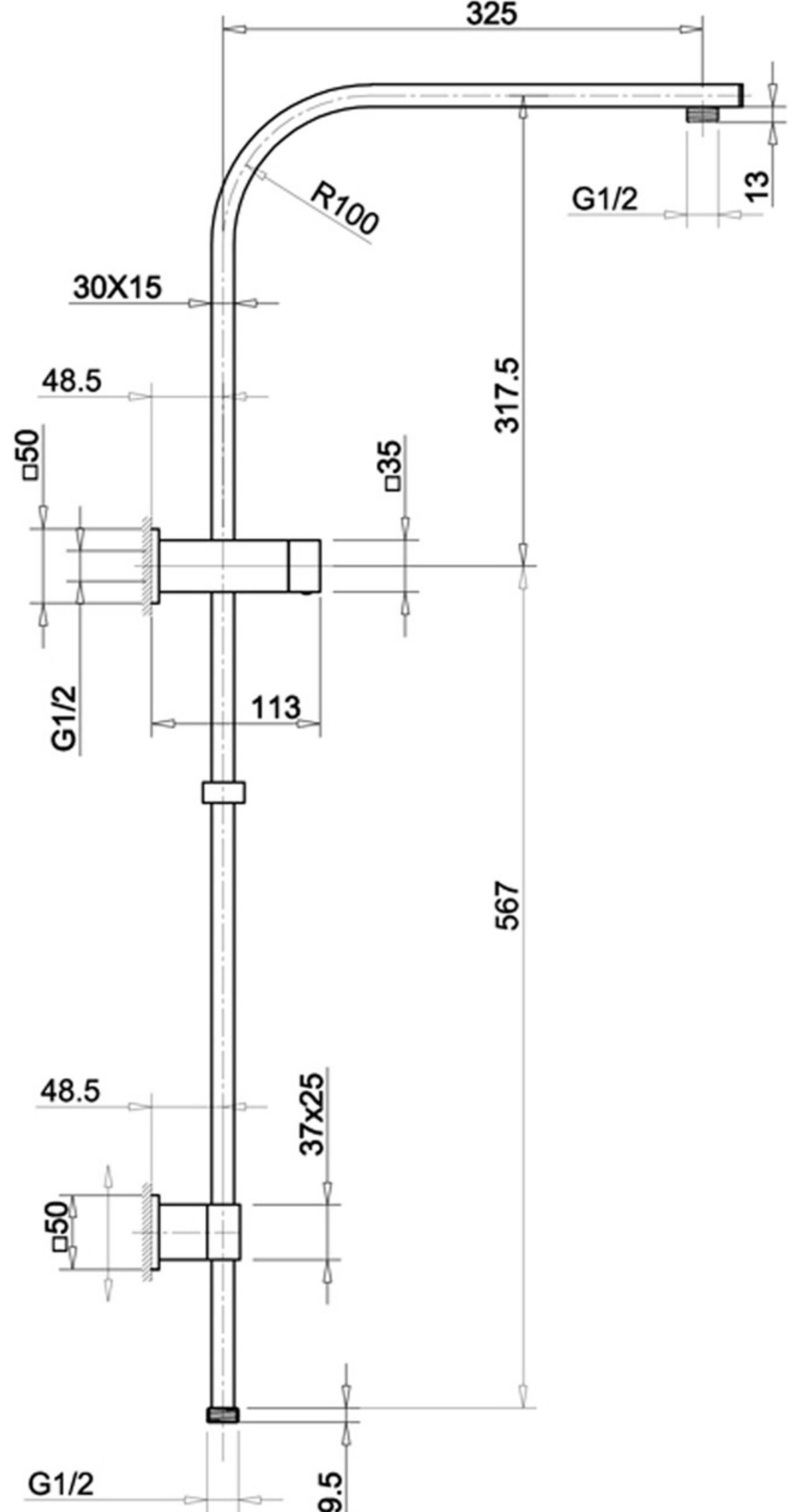
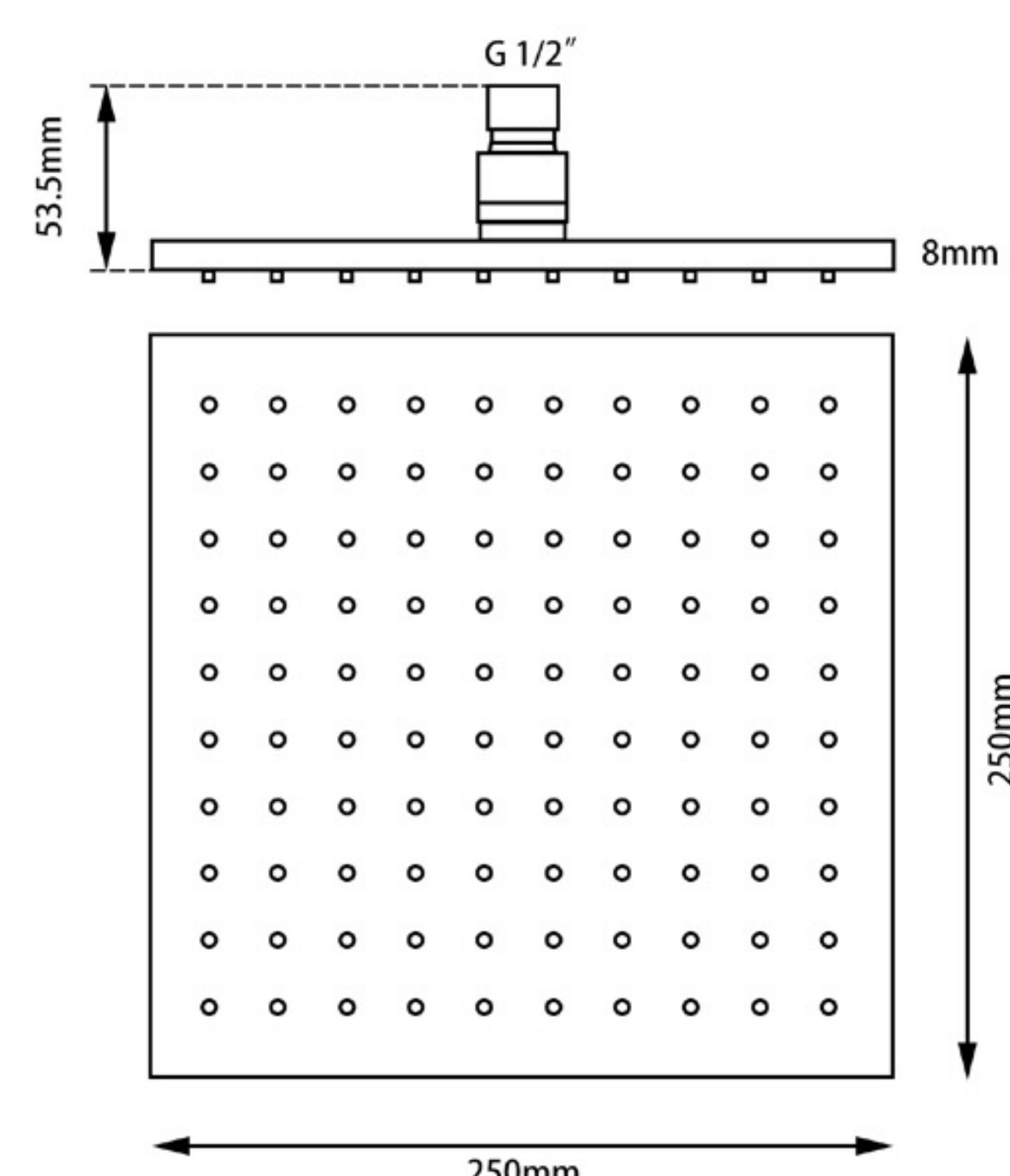
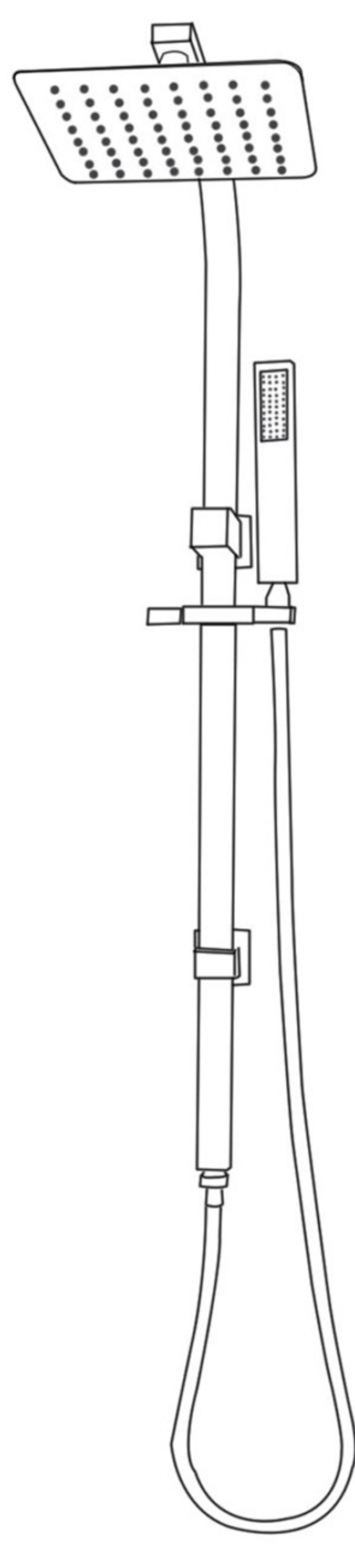


## SQUARE SHOWER STATION



### SPECIFICATIONS

Recommended use	Domestic, hotel and commercial
Colour availability	six colors availability
Pressure rating	Maximum operating pressure 1000kPa Note: For best performance and longer life we recommend 300-800kPa
Temperature rating	Maximum hot temperature 80°C, minimum 5°C
Suitable Hot Water	Storage tank: Yes
Units	Continuous flow: Yes Gravity Feed: Not recommended
Standards	AS/NZS 6400

### CLEANING RECOMMENDATIONS

This product should not be cleaned with abrasive materials. Damage caused by any improper treatment is not covered by the product warranty - refer to Warranty Conditions on the last page.

Disclaimer: Products in this specification manual must by regulation be installed by licensed and registered trade people. The manufacturer/distributor reserves the right to vary specifications or delete models from their range without prior notification. Dimensions are nominal measurements only. Dimensions and set-outs listed are correct at time of publication however the manufacturer/distributor takes no responsibility for printing errors.



## SQUARE SHOWER STATION

### INSTALLATION INSTRUCTIONS

#### Important Note:

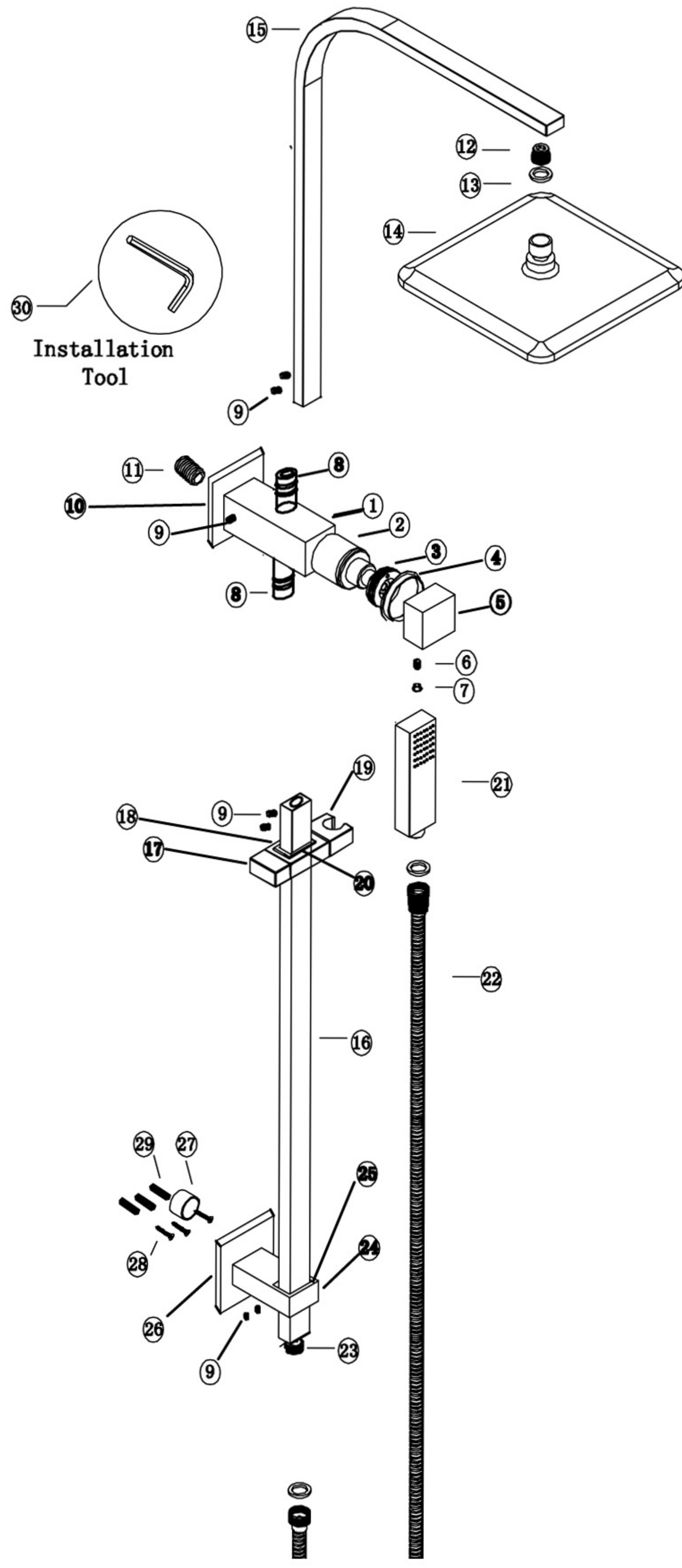
Shower must be installed to the requirements of AS/NZS 3500 by a qualified plumber. Your shower comes to you already factory assembled and tested. We do not recommend the dismantling of any internal part of the shower. The showers are factory tested and sealed so as to give the best performance.

#### Installation Procedure

1. Please flush out new pipe work prior to connecting the new shower.
2. All showers should be installed with isolating stop cocks (Arco).
3. In some areas where the incoming water exceeds 500 kPa, an approved pressure limiting device must be installed. Equal pressure or hot and cold water supply is required for this shower station.
4. Showers are recommended for use on mains pressures and instantaneous systems only.
5. Connect the shower diverter to shower rail, tighten with screw(8). Put shower rail into socket(25), connect Shower arm to diverter, tighten with screw(9).
6. Wrap the wall water outlet male thread with water tape, screw the diverter directly into the male thread and thighten up by hand and screw(9).
7. Fix (27) with screw(28) in the proper place under diverter, move socket on, then tighten with screw.
8. Screw the shower head nut to the connector tightly.
9. Screw tight shower hose nut to the shower hose connector, connect handheld shower and hose nut.
10. Check for leaks.

#### SERVICING - Replacement of Cartridge

1. Remove decaration cover from handle and unscrew the grub screw.
2. Lift off Handle and remove Cartridge Dome and Cartridge Lock Nut.
3. Lift out Cartridge and replace with new.



#### EXPLODED VIEW

- Item Description
- 1-11. Shower Diverter Complete
- 12. Connect Nut
- 13. Washer
- 14. Shower Head
- 15. Shower Arm
- 16. Shower Rail
- 17-20. Shower Socket Complete
- 21. Hand Shower
- 22. Shower Hose
- 23-29. Fixed Assemblies
- 30. Allen Key

## SQUARE SHOWER STATION

### NORICO PRODUCT QUALITY GUARANTEE

Warranty - Norico Australia products come with guarantees that cannot be excluded under the Australian Consumer law. You are intitled to have goods repaired or replaced if the products fail to be acceptable quality and or if there is a failure.

#### All Products

15 Years

- \*15 years replacement cartridges
- \*7 years replacement product or parts
- \*1 year replacement product or parts & labour

#### Warranty Exclusions

- The consumer is not able to provide proof of purchase which confirms what the relevant product was purchased from a Norico Australia authorized distributor
- The relevant products are not installed by a licensed plumber and in accordance with the manufactures's installation instructions
- Water filters are not be fitted. Any flow-controlled device must not be fitted unless Approved by Norico Australia
- The relevant product requires repairs due to damage resulting from accident, misuse (including use or incorrect applications), incorrect installation, cleaning or maintenance, unauthorised modification, tampering or unauthorised repairs by any persons, use of defective or incompatible accessories or exposure to corrosive products, adhesives or sealants. Not cleaning out the lines and causing the ceramic cartridge to scratch
- The product is not the product of Norico Australia and had no warranty card
- The defective part is worn by use and is only a replacement part
- Products are exposed to environmental elements
- Damage occurs because of obstructions due to inadequate flushing of system before use
- Services or repairs with non-standard replacement parts have been previously undertaken without Norico Australian approval
- Damage to finishes which arise from installation or post installation use; and Not caring and or cleaning for the product; This includes using harsh cleaning products set out below
- Under no circumstances should tapware be installed using acetone related products
- Never use harsh detergents, citrus based cleaner or abrasive cleaners, on any Norico products as there will cause scratching
- Always wipe over with warm soapy water. This is all that is required to maintain your products in perfect condition for a lifetime of use

#### Warranty Claim

If there is fault. Norico Australia and or its Agents or retailers will send a service agent and or a replacement part. There is a fee if the service agent is called and the product is found not to be faulty but was installed incorrectly and not a manufacturing defect and or related problem.

#### Warranty Periods Commercial

All products\* 1 Year

Replacement parts & Labour

All Norico Australia products have a 12month Commercial warranty. All products should be tested before handover date and apply from the date of invoicing.

