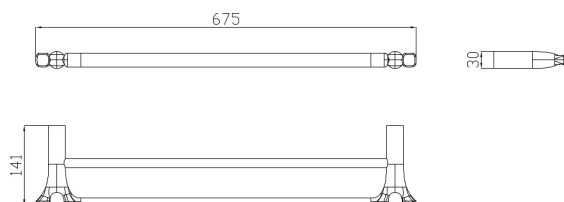
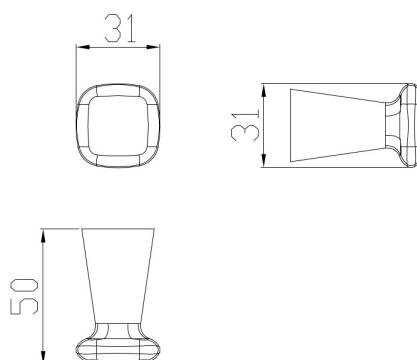




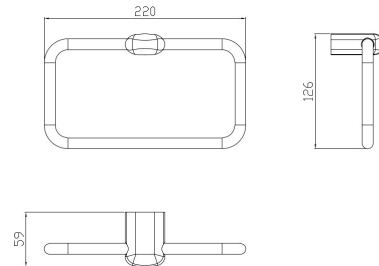
D0280260 - Single Towel Rail



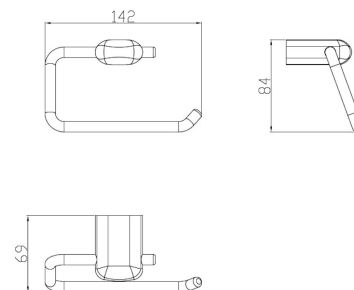
D0280262 - Double Towel Rail (650mm)



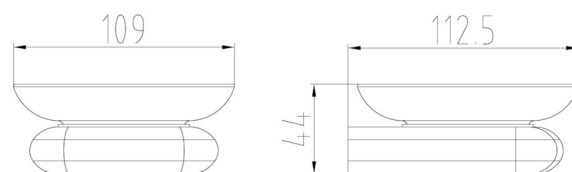
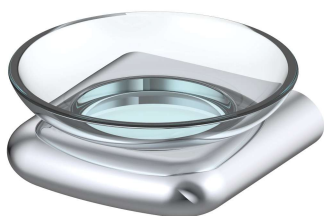
D0380260 – Robe Hook



D0480261 - Towel Ring



D0680260 - Tissue Holder



D0780260 - Soap Holder



# VICTORIA SERIES

## Accessories

The Victoria Bathroom Accessories range is characterised by its classic and elegantly rounded forms. It is a timeless choice for any new bathroom project.

Finishes:	Chrome
Material:	Zinc
Fixing:	Wall materials vary. The accessory fixing kit supplied is suited for solid wall fixing. For timber framed walls, please ensure the accessory is fixed to a stud/noggin behind the wall. Where stud/noggin is not available, please use suitable hollow wall fixing.
Cleaning Recommendations:	We recommend the use of soapy water or approved cleaners. This product should not be cleaned with abrasive materials. Damage caused by any improper treatment is not covered by the product warranty. Refer to Warranty Condition.
Warranty:	<b>7 Year Replacement Product or Parts</b> <b>1 Year Finish</b> (Chrome finish covered under standard Product or Parts Warranty) <i>Please refer to Warranty Guide for full terms &amp; conditions</i>

While we aim to ensure the specifications shown are correct at time of printing, Summer reserves the right to make modifications without prior notice. Always use the physical product measurements for mark-ups and roughing-in as the line drawing shown may differ from the actual product over time. All measurements are shown in millimetres. Colours may vary from image shown.