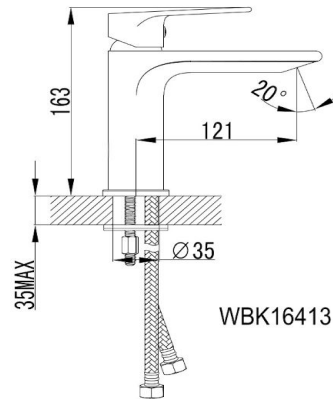


SUMMER

HALE Tall Basin Mixer

WBK16F13DH



Our Hale tapware series features the pairing of a classic rounded body with a distinctly squared handle and spout. This gentle design juxtaposition provides interest to any modern bathroom, kitchen or laundry. The Hale Tall Basin Mixer features a satisfyingly slim yet sturdy handle. Available in Chrome and Black.

Available Finishes: Black (WBK16F13DH)
Chrome (WBK16F13C)

Material Solid Brass Construction

WELS Rating 5 Star – 5.0 litres/min

Temperature Maximum 80°C

Pressure Maximum 500 kpa

Warranty: 15 Year Cartridge
7 Year Product or Parts
3 Year Finish (Chrome finish covered under standard Product or Parts Warranty)
Please refer to Warranty Guide for full terms & conditions



While we aim to ensure the specifications shown are correct at time of printing, Summer reserves the right to make modifications without prior notice. Always use the physical product measurements for mark-ups and roughing-in as the line drawing shown may differ from the actual product over time. All measurements are shown in millimetres. Colours may vary from image shown.