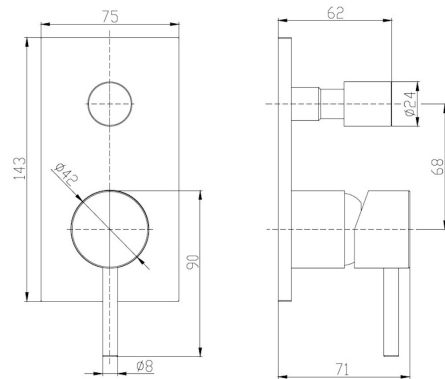
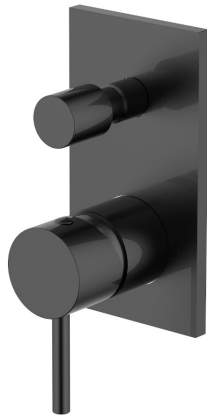




SYDNEY Wall Mixer with Diverter

ZY248201PA



Our Sydney range embodies all that we love about the city we call home: the perfect balance of contemporary design and timelessness. This range is characterised by a cylindrical body paired with a modern slimline handle. The Sydney Shower/Wall Diverter is of a machined brass construction and is available in both Chrome and Black finishes.

Available Finishes: Chrome (ZY248201C)
Black (ZY248201PA)

Material Solid Brass Construction

Temperature Maximum 80°C

Pressure Maximum 500 kpa

Warranty: 15 Year Cartridge
7 Year Product or Parts
3 Year Finish (Chrome finish covered under standard Product or Parts Warranty)
Please refer to Warranty Guide for full terms & conditions



While we aim to ensure the specifications shown are correct at time of printing, Summer reserves the right to make modifications without prior notice. Always use the physical product measurements for mark-ups and roughing-in as the line drawing shown may differ from the actual product over time. All measurements are shown in millimetres. Colours may vary from image shown.