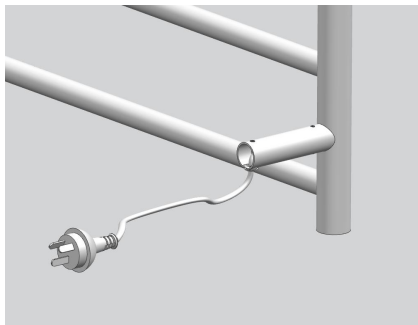
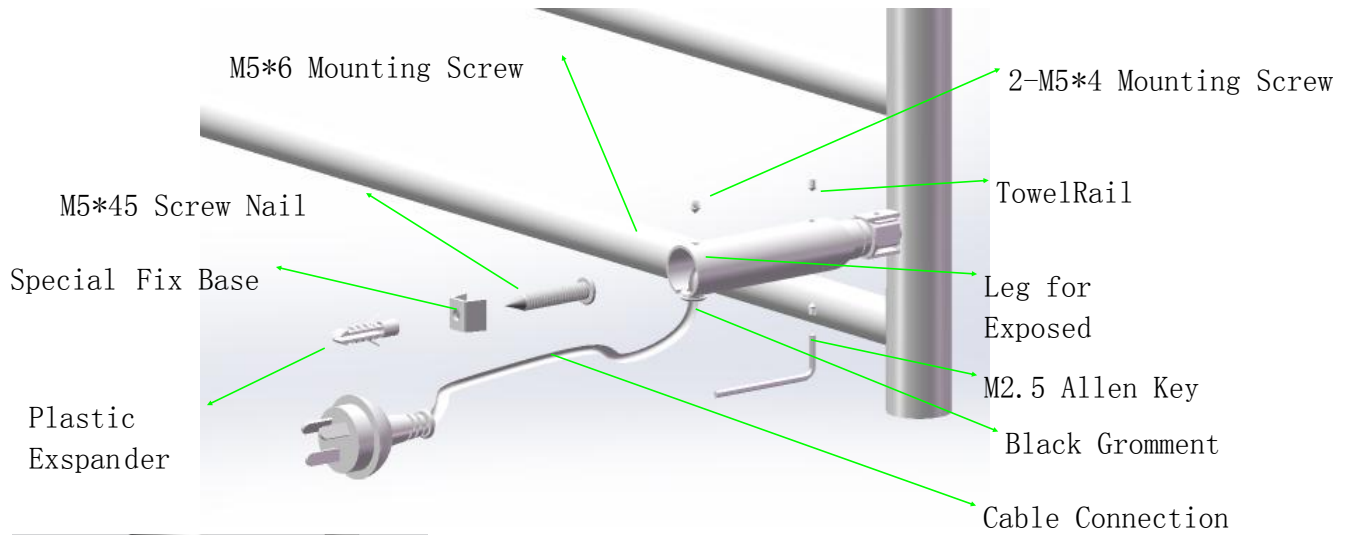


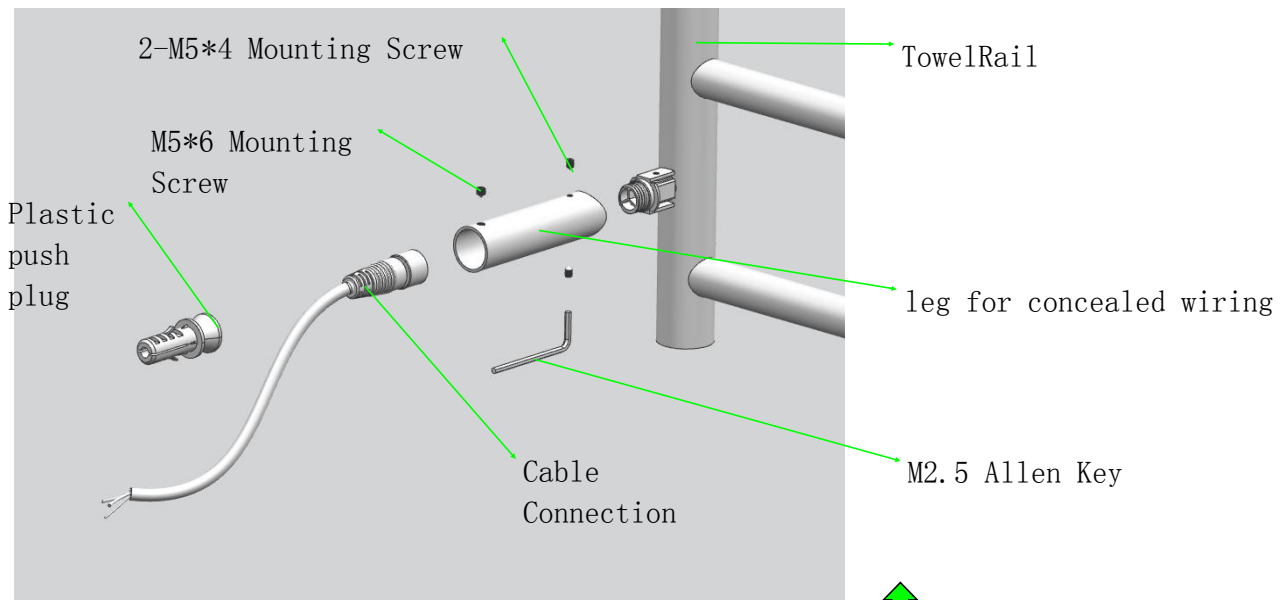
Installation instruction



①Exposed Wiring Exploded View



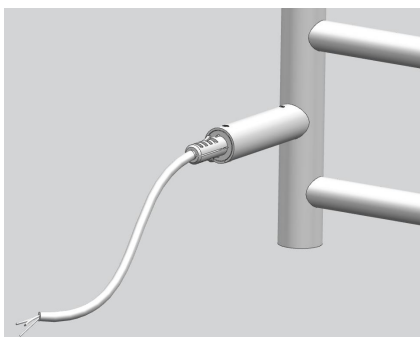
②Leg for Exposed Wiring View

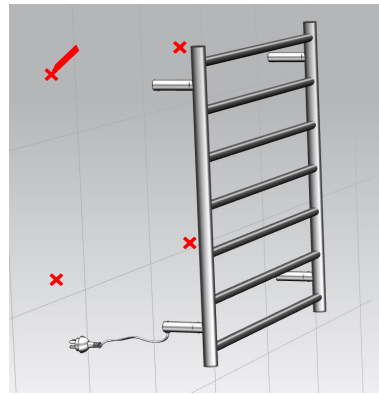
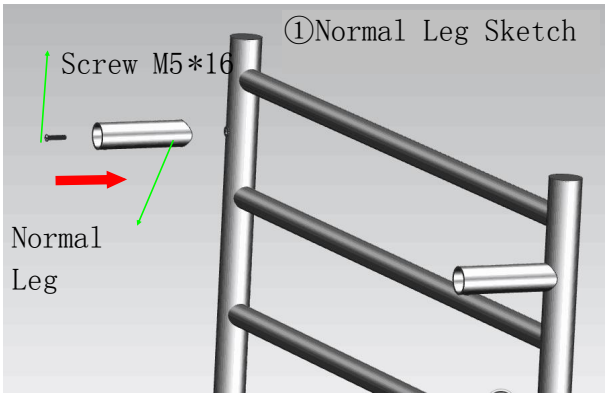


①Concealed Wiring Exploded View

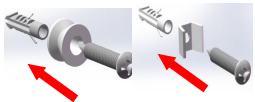


②Concealed Wiring Sketch

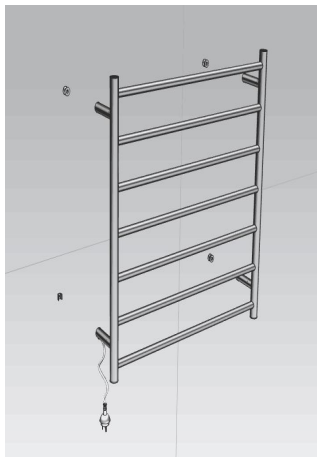




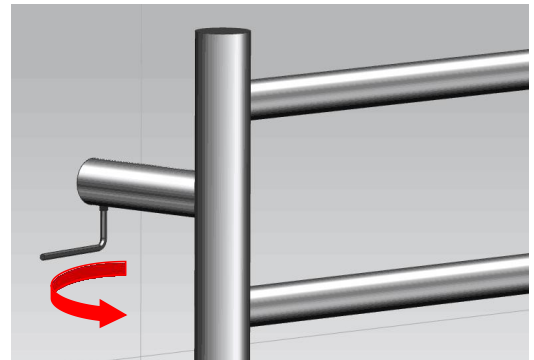
②Mark the desired spot according to the rail dimension , drill holes and install the plastic expanders.



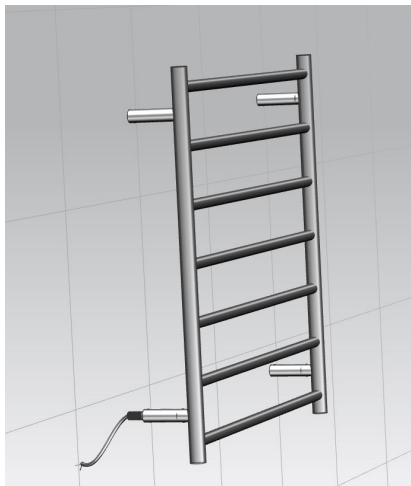
③Insert 3 fix bases and 1 special fix base into wall with mounting screw.



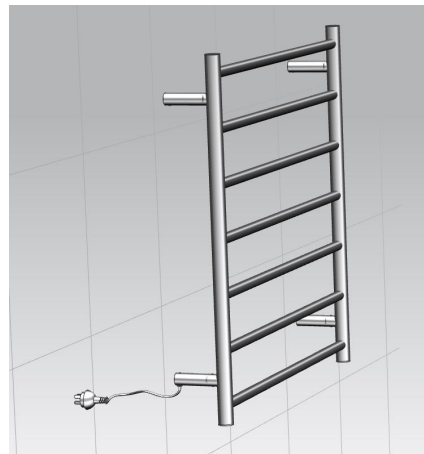
④Connect the assembled rail with the fix bases and special fix base in the wall.



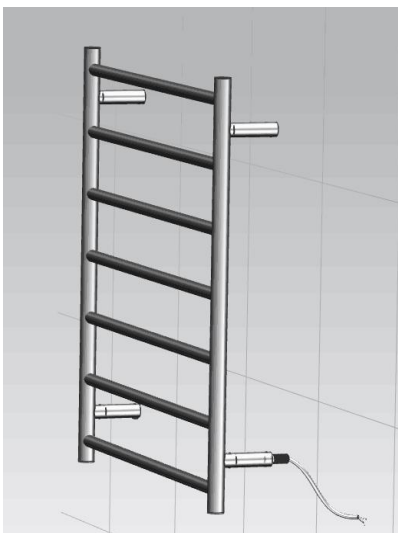
⑤Tighten four legs with M5*6 Mounting Screw.



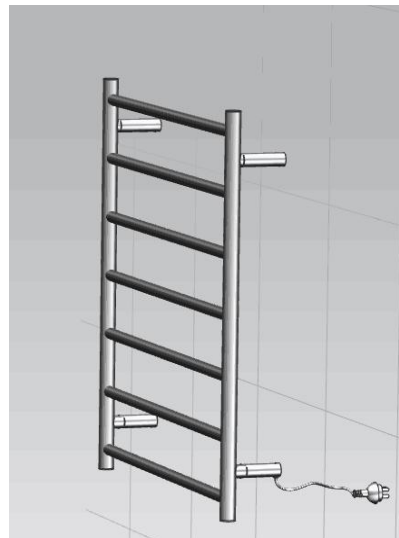
①Left Handed Concealed Wiring



②Left Handed Exposed Wiring



③Right Handed Concealed Wiring



④Right Handed Exposed Wiring