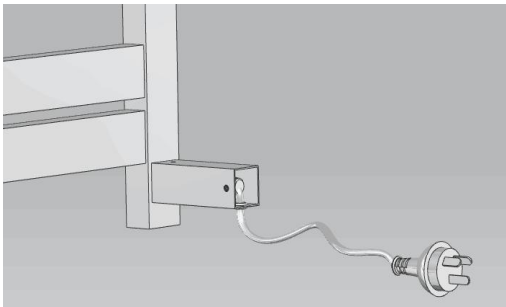
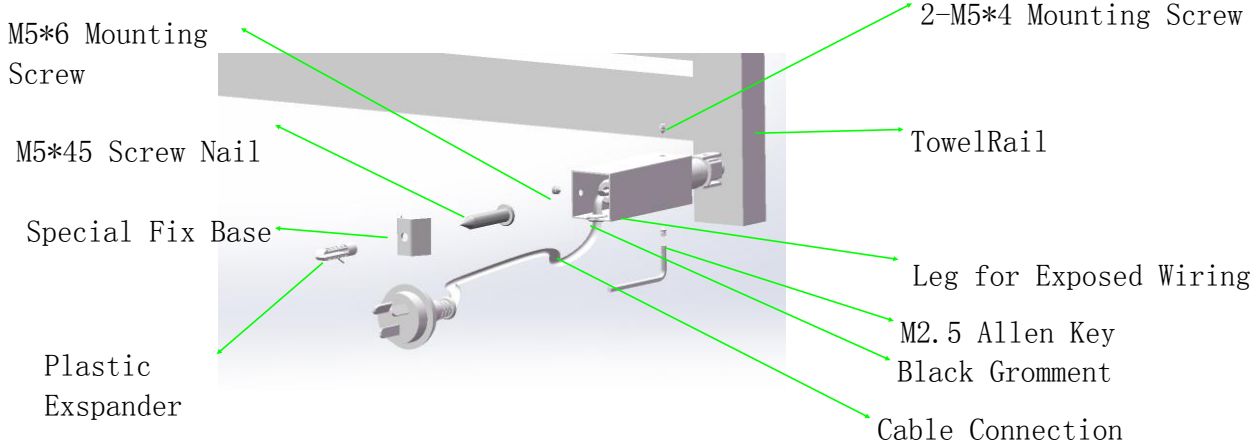
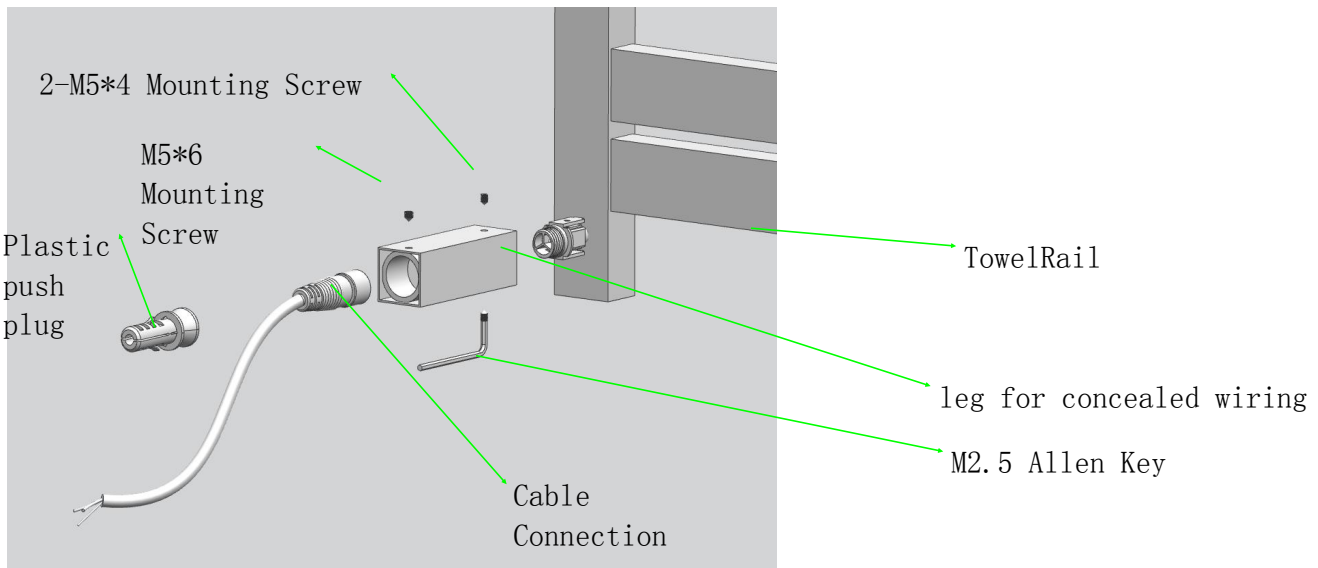


# Installation instruction



↑ ①Exposed Wiring Exploded View

← ②Leg for Exposed Wiring View



↑ ①Concealed Wiring Exploded View

← ②Concealed Wiring Sketch

